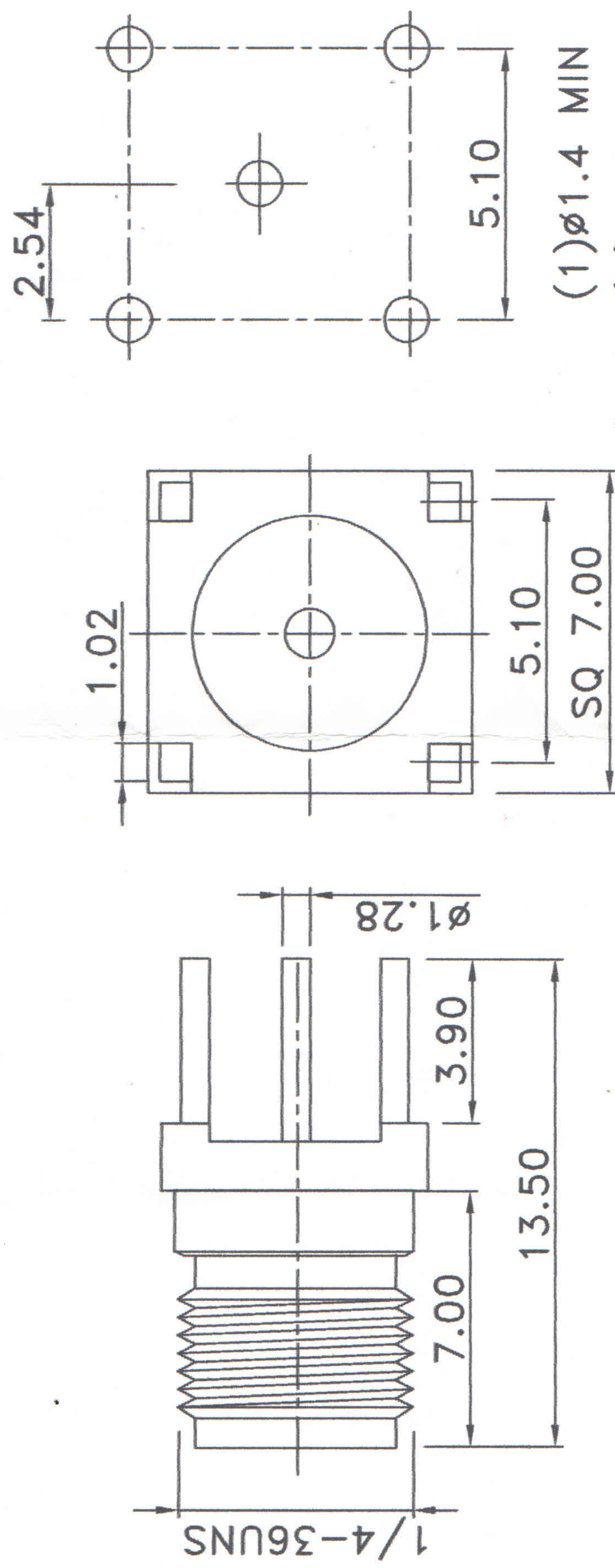


REV	DESCRIPTION	DRAWN	DATE



(1) ϕ 1.4 MIN
 (1) ϕ 1.5 MIN

RECOMMENDED HOLE

NO	Description	Q'ty	Material	Finish
4	PIN	1	Be Cu	GOLD
3	INSULATOR A	1	TELFON	NONE
2	WASHER	1	BRASS	GOLD
1	BODY	1	BRASS	GOLD

UNLESS OTHERWISE SPECIFIED	* MAJOR DIMENSION	APPROVED
1. REMOVE ALL BURRS. 2. BREAK ALL CORNERS & EDGES TO 0.15 MAX. 3. CHAMFER 1ST & LAST THREADS 45°. 4. DIAMETERS ON COMMON CENTERS TO BE CONCENTRIC WITHIN 0.1. 5. ALL DIMENSIONS ARE AFTER PLATING.	UNLESS OTHERWISE NOTED TOLERANCES 0.5-6 = ± 0.2 6-30 = ± 0.4 30-120 = ± 0.6 120-315 = ± 1.0 ANGLES = ± 1	<input checked="" type="checkbox"/>
SCALE 6/1	UNIT MM	CHECKED
		DRAWN andrew
		DRAWN DATE 03/06/27

DRAWING NO.	REV
SMA JACK PCB MOUNT RECEPTACLE	A
SMA-02-38-TGG	

KAYRA Elektronik Ltd.Sti.	FILE NO.