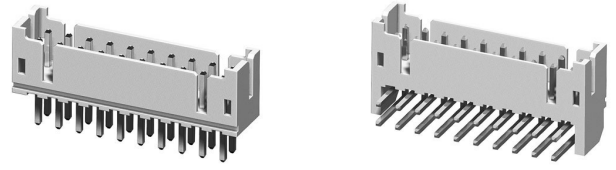
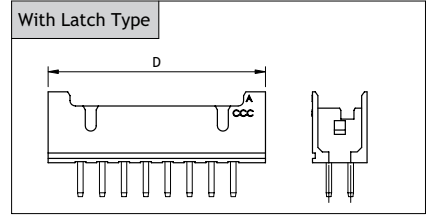
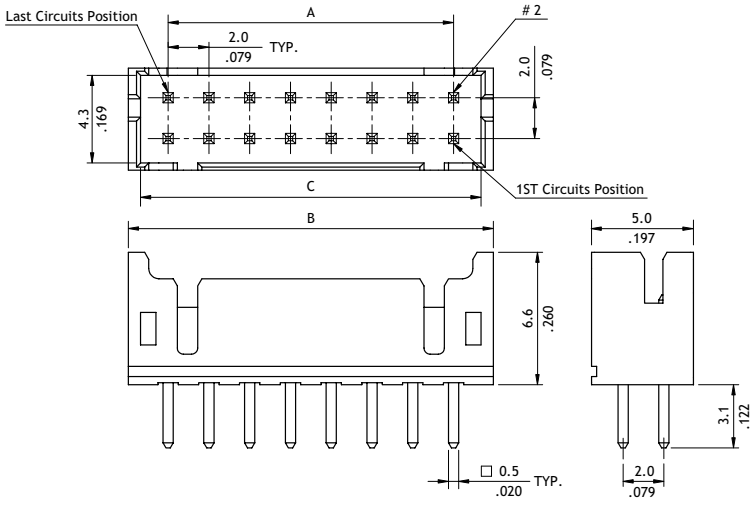


**CI01 Series 2.00mm(.079") Dual Row Wire to Board Connectors DIP Headers**

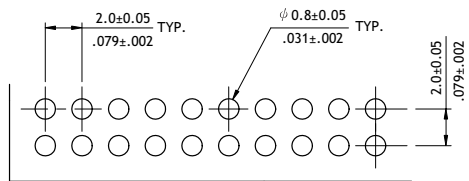
- With locking slots
- Mate with CI01 Dual Row Housing
- Insulator: Polyamide UL 94V-0, Color Nature
- With Tin plated 0.5mm square pin



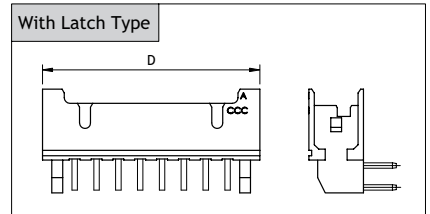
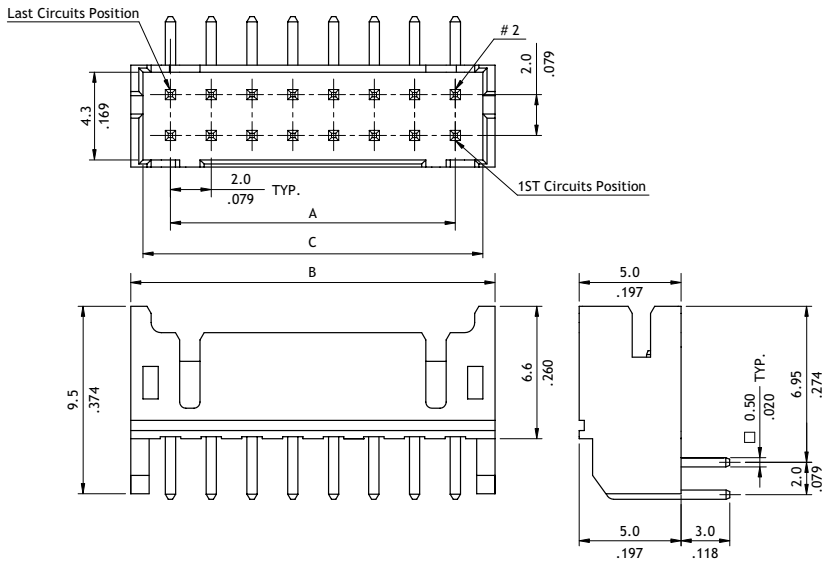
**Straight**



A = 2.0 x No. of Spaces  
 B = A + 3.9  
 C = A + 2.7  
 D = A + 5.9



**Right Angle**



**Ordering Code**

① CI 01    ② 3 4    ③ P    ④ 1    ⑤ V    ⑥ D    ⑦ 0    ⑧ - NH

- ① Series No.
- ② No. of Circuits: 06 to 34
- ③ P = DIP Type
- ④ Plating Code: 1 = Matte Tin over Nickel
- ⑤ Type: V = Straight  
H = Right Angle
- ⑥ D = Dual Row Header
- ⑦ Other Options: 0 = Standard  
L = With Locking Ramp
- ⑧ -LF = For Lead Free soldering process  
-NH = For Lead Free soldering process and Halogen-Free  
\*Special options consult manufacturer