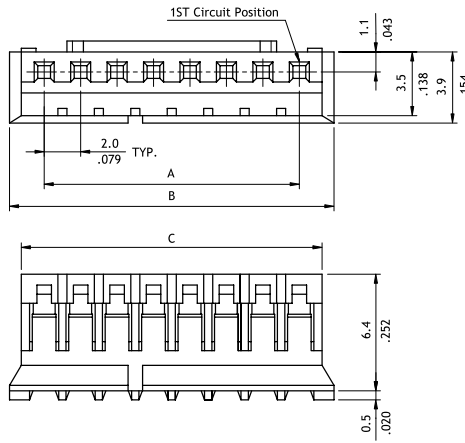
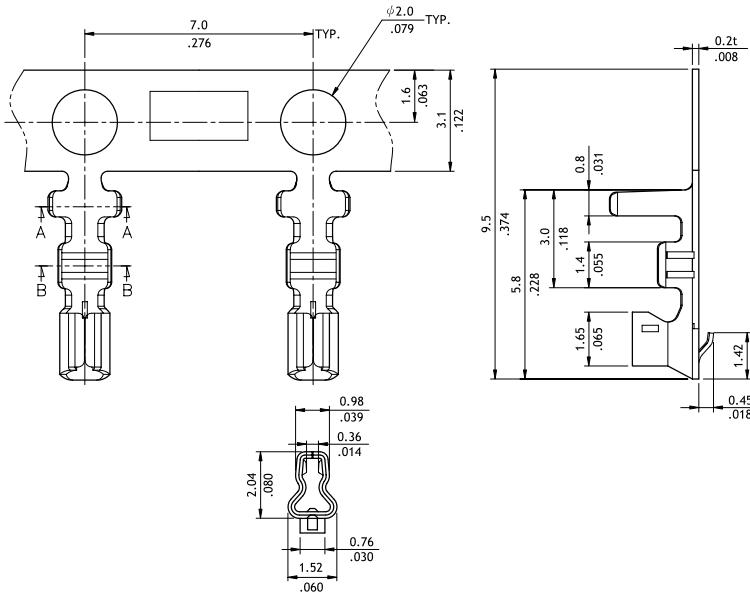


CI01 Series 2.00mm(.079") Wire to Board Connectors

- ⦿ Low profile latch housing
- ⦿ Mate with CI01 header
- ⦿ Can be used CI01 crimp clip terminal
- ⦿ Insulator: Nylon 66 UL 94V-0 , Color Nature
- ⦿ Terminal: Tin plated Phosphor Bronze



A = 2.0 x No. of Spaces
 B = A + 3.8
 C = A + 2.5



Wire Range	Insulation Diameter	Reel Q'ty
AWG #24-#30	1.45 (.057) MAX.	10,000 PCS.

Ordering Code

1 **2** **3** **4**
CI01 16 S 0000

- ① Series No.
- ② No. of Circuits: 02 to 16
- ③ S = Housing
- ④ Other Options:
 0000 = Standard
 *Special options consult manufacturer

1 **2** **3** **4** **5** **6**
CI01 T01 1 P E 0

- ① Series No.
- ② Type: T01 = AWG #24-#30
- ③ Plating: 1 = Tin over Nickel
- ④ Material:
 P = Phosphor Bronze
- ⑤ Plating method: E = Pre-tinned
- ⑥ Other Options: 0 = Standard