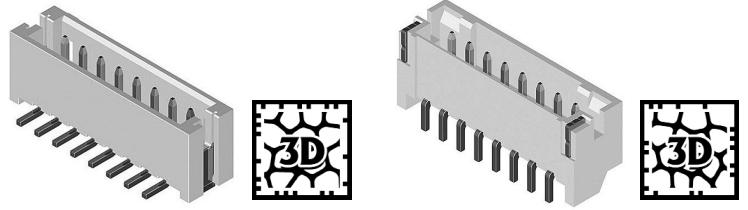
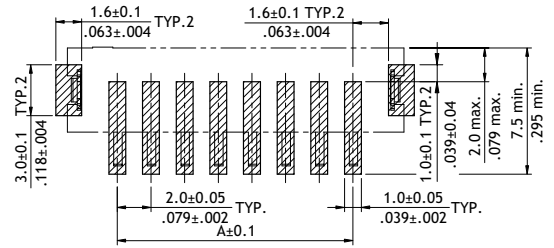
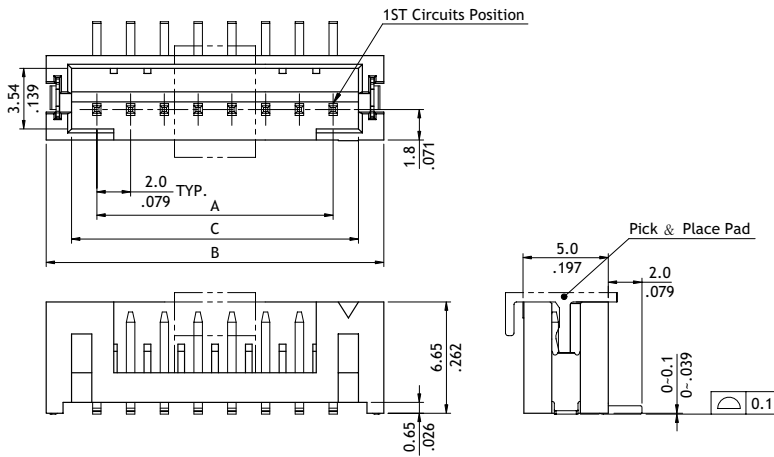


CI01 Series 2.00mm(.079") Single Row Wire to Board SMT Headers

- Polarization and Low-profile
- Locking slots provide secure mating
- Fixed tabs provide PCB hold-down
- Mate with CI01 Housing
- Insulator: Polyamide UL 94V-0, Color Nature
- Termianl: Tin plated Brass



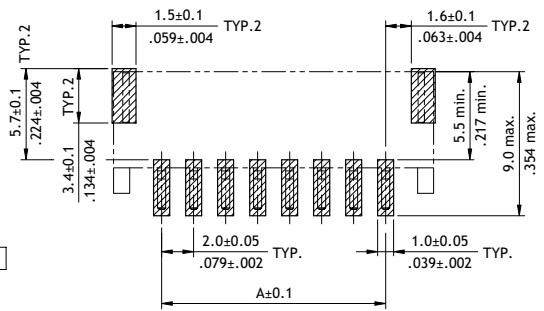
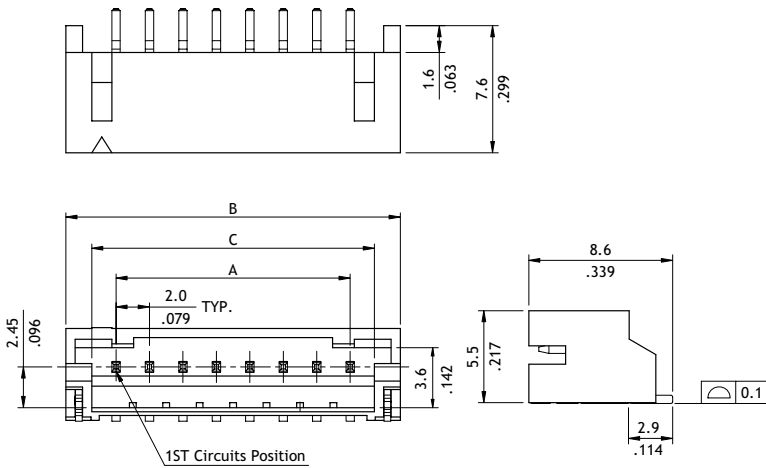
Top Entry



Recommended P.C. Board Layout

Circuits	Dimension		
	A	B	C
2	2.0(.079)	8.0(.315)	5.0(.197)
3	4.0(.157)	10.0(.394)	7.0(.276)
4	6.0(.236)	12.0(.472)	9.0(.354)
5	8.0(.315)	14.0(.551)	11.0(.433)
6	10.0(.394)	16.0(.630)	13.0(.512)
7	12.0(.472)	18.0(.709)	15.0(.591)
8	14.0(.551)	20.0(.787)	17.0(.669)
9	16.0(.630)	22.0(.866)	19.0(.748)
10	18.0(.709)	24.0(.945)	21.0(.827)
11	20.0(.787)	26.0(1.024)	23.0(.906)
12	22.0(.866)	28.0(1.102)	25.0(.984)
13	24.0(.945)	30.0(1.181)	27.0(1.063)
14	26.0(1.024)	32.0(1.260)	29.0(1.142)
15	28.0(1.102)	34.0(1.339)	31.0(1.220)
16	30.0(1.181)	36.0(1.417)	33.0(1.299)

Side Entry



Recommended P.C. Board Layout

Ordering Code

① CI 01 ② 15 ③ M ④ 1 ⑤ V R ⑥ 0 - ⑦ NH

- ① Series No.
- ② No. of Circuits: Top Entry: 02 to 15
Side Entry: 02 to 16
- ③ M = SMT Type
- ④ Plating Code: 1 = Matte Tin over Nickel
- ⑤ Type: V = Top Entry
H = Side Entry
- ⑥ Packing Options: T = Tube
R = Tape & Reel
(Top Entry type with pick & place Pad)
- ⑦ Other Options: 0 = Standard
*Special options consult manufacturer
- ⑧ -LF = For Lead Free IR process
-NH = For Lead Free IR process and Halogen-Free