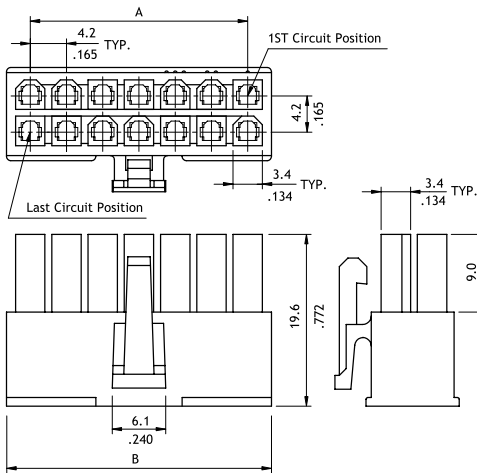


CP-011 Series 4.20mm(.165") Receptacle Connectors

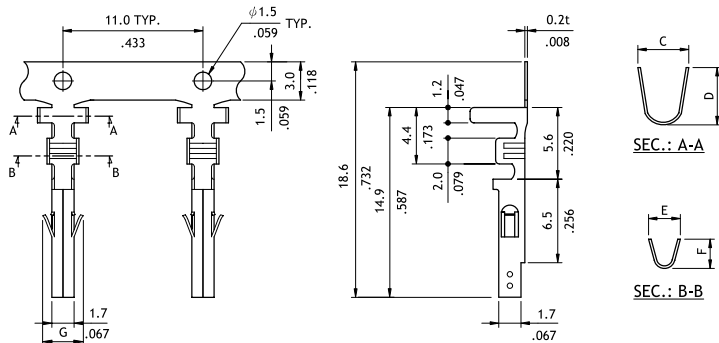
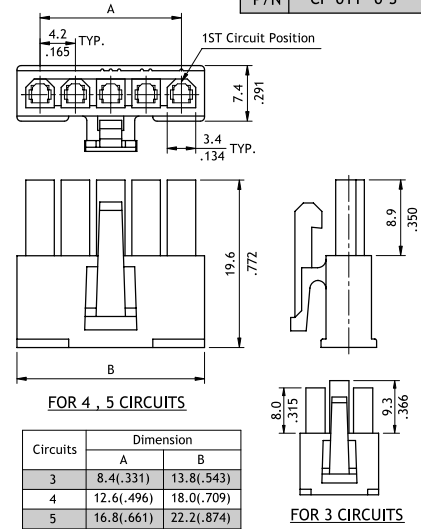
- With locking latch
- Available in 2 through 24 circuits
- Mates with CP-012, CP-013 or CP-014 connector
- Nylon 66 UL 94V-0 or V-2 insulator material
- Can be used CP-011 crimp terminal
- Terminal accommodated AWG #16 ~ #26



P/N CP-011**0*S



Circuits	Dimension	
	A	B
2	-	5.5(.217)
4	4.2(.165)	9.7(.382)
6	8.4(.331)	13.9(.547)
8	12.6(.496)	18.1(.713)
10	16.8(.661)	22.3(.878)
12	21.0(.827)	26.5(1.043)
14	25.2(.992)	30.7(1.209)
16	29.4(1.157)	34.9(1.374)
18	33.6(1.322)	39.1(1.539)
20	37.8(1.487)	43.3(1.705)
22	42.0(1.652)	47.5(1.870)
24	46.2(1.817)	51.7(2.035)



Part No.	Wire Range	Dimension					Insulation Range	Material	Reel Qty
		C	D	E	F	G			
CP-01100101	AWG #22-26	3.4(.134)	3.3(.130)	2.5(.098)	2.3(.091)	2.6(.102)	0.9-1.8(.035-.071)	Brass	5,000 PCS
CP-01100102	AWG #18-22	4.0(.158)	4.5(.177)	2.5(.098)	2.3(.091)	3.2(.126)	1.3-3.1(.051-.122)	Brass	4,000 PCS
CP-01100103	AWG #22-26	3.4(.134)	3.3(.130)	2.5(.098)	2.3(.091)	2.6(.102)	0.9-1.8(.035-.071)	Phosphor Bronze	5,000 PCS
CP-01100104	AWG #18-22	4.0(.158)	4.5(.177)	2.5(.098)	2.3(.091)	3.2(.126)	1.3-3.1(.051-.122)	Phosphor Bronze	4,000 PCS
CP-01100105	AWG #16	4.0(.158)	4.5(.177)	2.8(.110)	2.7(.106)	3.2(.126)	1.8-3.1(.071-.122)	Brass	4,000 PCS
CP-01100106	AWG #16	4.0(.158)	4.5(.177)	2.8(.110)	2.7(.106)	3.2(.126)	1.8-3.1(.071-.122)	Phosphor Bronze	4,000 PCS
CP-01100104-HC	AWG #18-22	4.0(.158)	4.5(.177)	2.5(.098)	2.3(.091)	3.2(.126)	1.3-3.1(.051-.122)	High electric conductive copper alloy	4,000 PCS
CP-01100106-HC	AWG #16	4.0(.158)	4.5(.177)	2.8(.110)	2.7(.106)	3.2(.126)	1.8-3.1(.071-.122)	High electric conductive copper alloy	4,000 PCS

Ordering Code

1 **2** **3** **4** **5** **6**
CP - 0 1 **1** **2 4** **0** **1** **0**

- 1** Series No.
- 2** Connector Type:
1 = Receptacle
- 3** No of Circuits
02 to 24 (Dual Row)
03 to 05 (Single Row)
- 4** Plating code:
0 = Non plating
- 5** Variation:
1 = UL 94V-2 ; 6 = UL 94V-2, BMI Type
3 = UL 94V-0 ; 7 = UL 94V-0, BMI Type
E = Glow wire tests approval
- 6** Other Options:
0 = Standard ; S = Single row
Special options Consult manufacturer