

SWITCH CIRCUIT

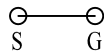
MATERIAL AND FINISH AS BELOW

WHEN CARD IS EJECTED

WHEN CARD IS INSERTED

CLOSE

OPEN

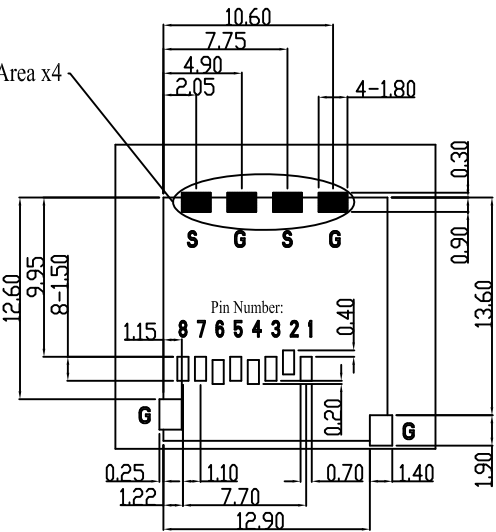
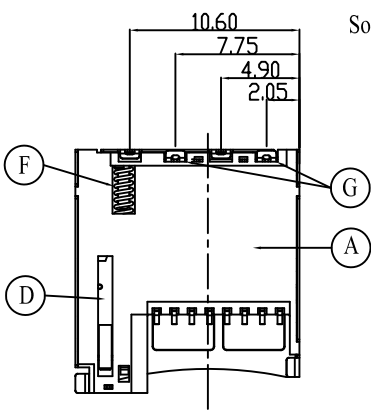
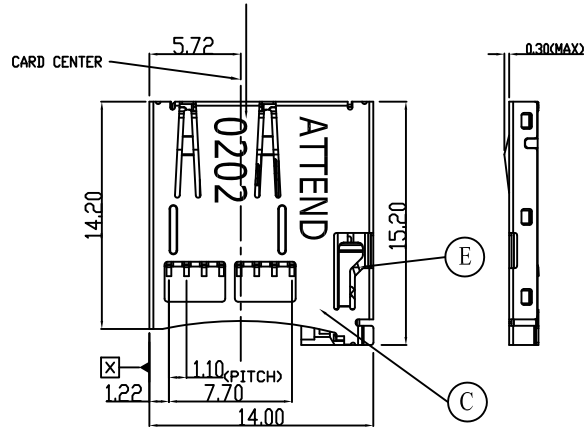


|   |         |   |
|---|---------|---|
| A | Housing | LCP+30% G/F   |
| B | Contact | Phosphor Bronze C5210-EH, Contact Area:10u * Gold Plating |
| C | Shell   | Stainless Steel SUS304R-3/4H, Solder Area:Gold Flash      |
| D | Slider  | LCP+30% G/F   |

|   |           |  |
|---|-----------|--|
| E | Drag Link | Stainless Steel SUS304                           |
| F | Spring    | Piano Wire                                       |
| G | Switch    | Phosphor Bronze C5191-H, Contact Area:Gold Flash |
| H |           |  |

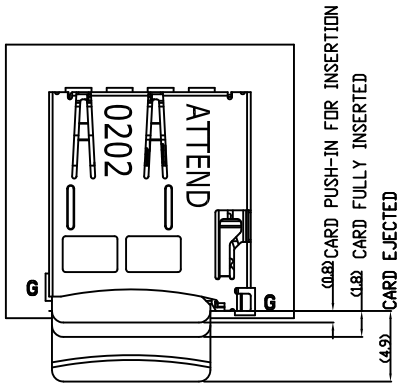
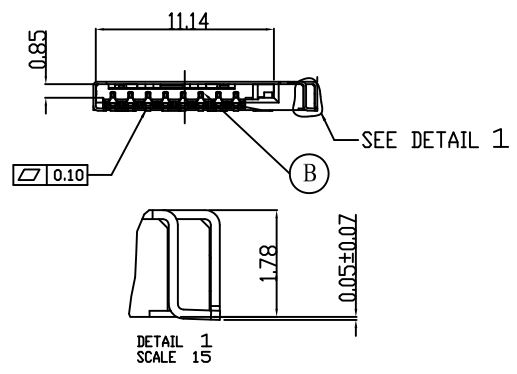
NOTES:

- DATE CODE 0202 (YWWDD)  
Y:0 YEAR(2010)  
WW:20 WEEK(01-52)  
D:2 DAY(01-07)
- 0202 WIDE x HIGH(6mm x 2mm)



SPECIFICATION:

- ELECTRICAL**
  - Current Rating: 0.5A per pin
  - Voltage Rating: 100V AC/DC
  - Contact Resistance: 50mΩ
  - Insulation Resistance: 1000MΩ
  - Dielectric Withstanding Voltage: 500VAC
- MECHANICAL**
  - Durability: 10000 Cycle
  - Insertion Force: 9.8N max.
  - Extraction Force: 9.8N max.
- ENVIRONMENTAL**
  - Operating temperature range: -40°C~+90°C
  - Storage temperature range: -40°C~+90°C
- SOLDER ABILITY**
  - Recommended IR Reflow Temperature: 260°C
  - Recommended PCB Thickness: 1.0mm



|      |         |     |     |     |     |      |      |           |     |
|------|---------|-----|-----|-----|-----|------|------|-----------|-----|
| DAT2 | CD/DAT3 | CMD | VDD | CLK | VSS | DAT0 | DAT1 | DETECTION | GND |
| P1   | P2      | P3  | P4  | P5  | P6  | P7   | P8   | S         | G   |

PIN ASSIGNMENT

|               |   |
|---------------|---|
| 112A-TAAR-R03 | Top Mount, Push-Push Type, Contact Area: 10u * Gold Plating |
| PRODUCT NO.   | DESCRIPTION   |

|                                      |          |            |
|--------------------------------------|----------|------------|
| UNLESS OTHERWISE SPECIFIED TOLERANCE |          |            |
| ANGLES                               | ANG.     | ±5°        |
| LINEAR                               | 0.       | ±0.3       |
|                                      | 0.0      | ±0.25      |
|                                      | 0.00     | ±0.20      |
| SCALE                                | AS SHOWN | UNIT: mm   |
| DRAWN                                | Willis   | 2013/10/31 |
| CHECKED                              | Angel    | 2013/10/31 |
| APPROVED                             | Ken      | 2013/10/31 |



www.attend.com.tw  
DRAWN NAME: Micro SD Socket Top Mount, Push-Push Type

|             |                   |
|-------------|-------------------|
| PRODUCT NO. | 112A-TAAR-R03     |
| FILE NAME   | 112A-TAAR-R03_B_1 |

|      |             |      |      |             |      |      |      |                   |
|------|-------------|------|------|-------------|------|------|------|-------------------|
| REV. | DESCRIPTION | DATE | REV. | DESCRIPTION | DATE | SIZE | REV. | FILE NAME         |
| 1    |             |      |      |             |      | A4   | 1.0  | 112A-TAAR-R03_B_1 |