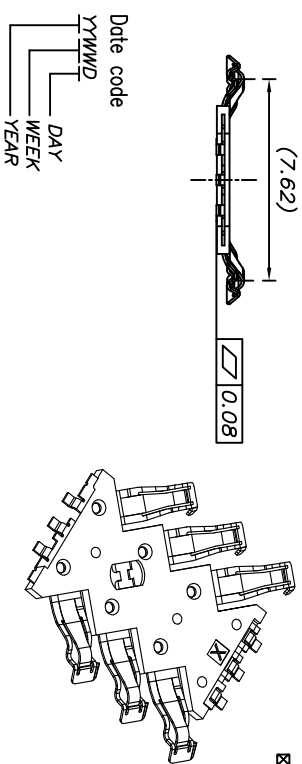
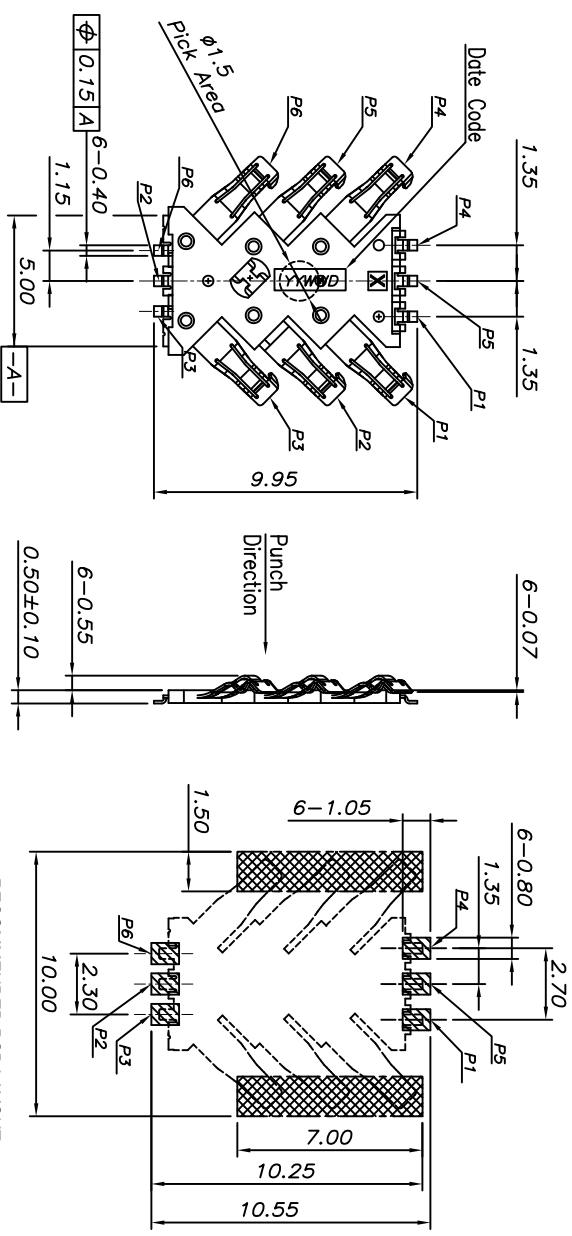


WHEN CARD IS EJECTED	WHEN CARD IS INSERTED	A Housing	LCP UL94V-0, Color: Black
		B Contact	Beryllium Copper C17200 , Contact Area: 15u" Gold Solder Tail: Gold Flash
		C	



RECOMMENDED PCB LAYOUT
 --- CONNECTOR BOUNDARY
 ▨ SOLDERING AREA
 ▩ DIGGING HOLES 0.05mm Min
 PCB TOLERANCE±0.05mm

SPECIFICATION:

1. ELECTRICAL
 - 1.1 Current Rating: 0.5A
 - 1.2 Voltage Rating: 15VDC
 - 1.3 Contact Resistance: Initially: 50mΩ, Finally:100mΩ max
 - 1.4 Insulation Resistance: 1000MΩ
 - 1.5 Dielectric Withstanding Voltage: 500VAC for 1 minute
2. MECHANICAL
 - 2.1 Durability: 3000 Cycle
 - 2.2 Contact Normal Force : 0.5N min
3. ENVIRONMENTAL
 - 3.1 Operating temperature range: -30°C to +85°C
 - 3.2 Storage temperature range: -30°C to +85°C
4. SOLDER ABILITY
 - 4.1 Recommended IR Reflow Temperature: 260°C

Vcc	RST	CLK	GND	Vpp	I/O
P1	P2	P3	P4	P5	P6

PIN ASSIGNMENT

PRODUCT NO.	115P-AEA0	Nano SIM Slim Type 6Pin SMD , Contact Area:15u" Gold
DESCRIPTION		



www.attend.com.tw

DRAWN NAME: Nano SIM Card Socket Slim Type

REV.	DESCRIPTION	DATE	REV.	DESCRIPTION	DATE	REV.	SIZE	REV.	FILE NAME
1							A4	1.0	115P-AEA0_B_1

△	Revise:	
△	Revise:	
△	Revise:	