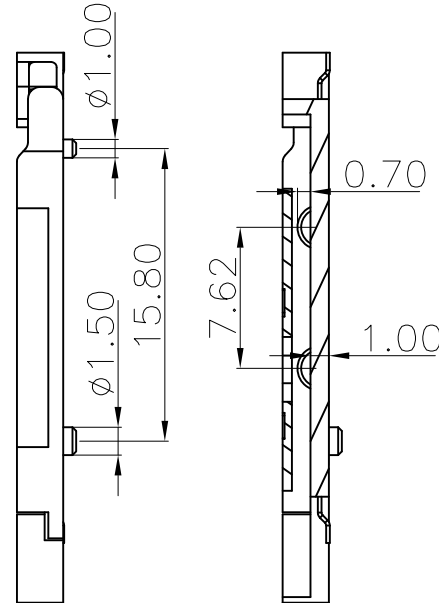
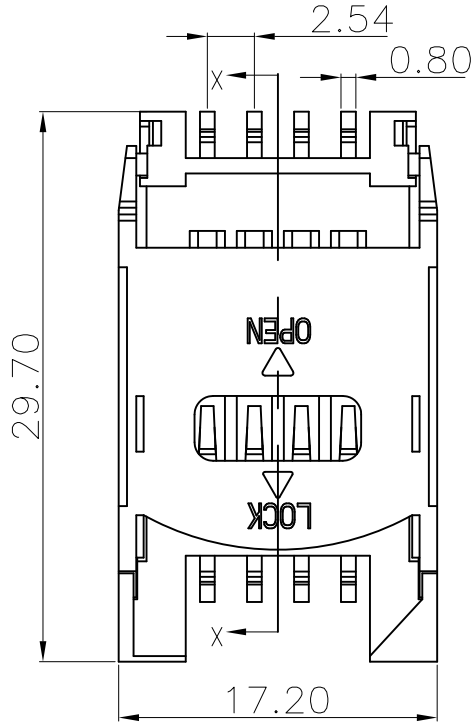
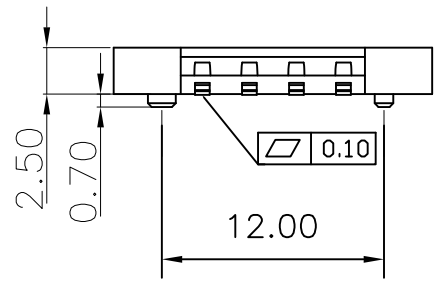
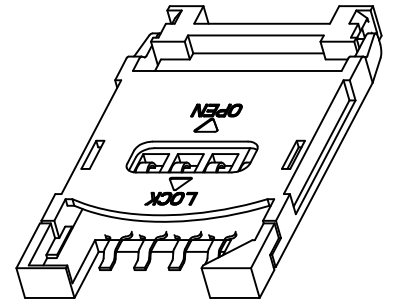


RECOMMENDED PCB LAYOUT



SECTION: X-X



115F-A C A 0-R  
1 2 3 4 5

- 1.Type A:6pin
- 2.Contact Plating C:5u" Gold Plating
- 3.Stand off A:0mm
- 4.Peg 0:w/peg
- 5.RoHS

NOTE:  
 1.GENERAL CHARACTERISTICS  
 DURABILITY:5000 CYCLES.  
 OPERATIO TEMPERATURE:-25°C TO +85°C.  
 2.ELECTRICAL CHARACTERISTICS  
 CONTACT RESISTANCE:30M OHMS MAX.  
 INSULATION RESISTANCE:>1000M OHMS MIN /500V DC.  
 RATED CURRENT:0.5A MAX.  
 WITHSTANDING DIELECTRIC VOLTAGE:500V AC R.M.S FOR 1MINUTE.  
 3.SOLDERABILITY  
 MAX PROCESSING TEMP:260°C FOR 10 SEC.

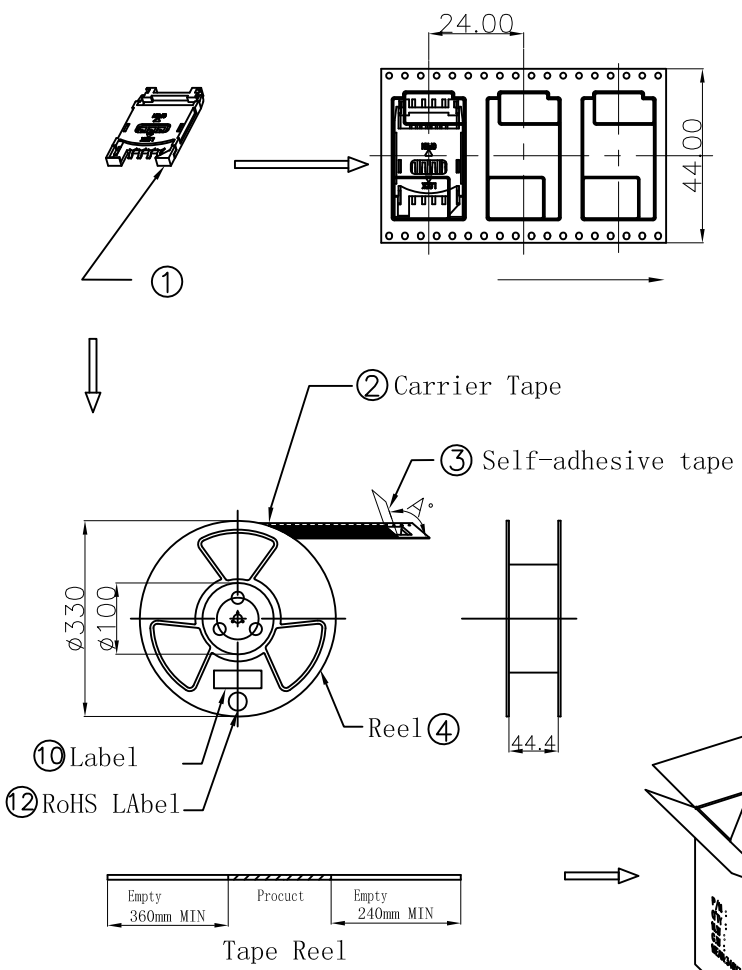
PART NAME	Q'TY	Material
HOUSING	1	LCP+30%GF
COVER	1	LCP+30%GF
CONTACT	8	C5210R-EH,GOLD 5u'

REV.	DESCRIPTION	DATE	REV.	DESCRIPTION	DATE

UNLESS OTHERWISE SPECIFIED TOLERANCE		
ANGLES	ANG.	±5°
LINEAR	0.	±0.3
	0.0	±0.25
	0.00	±0.20
SCALE	AS SHOWN	UNIT: mm
DRAWN	Willis	2012/08/03
CHECKED	Angel	2012/08/03
APPROVED	Ken	2012/08/03



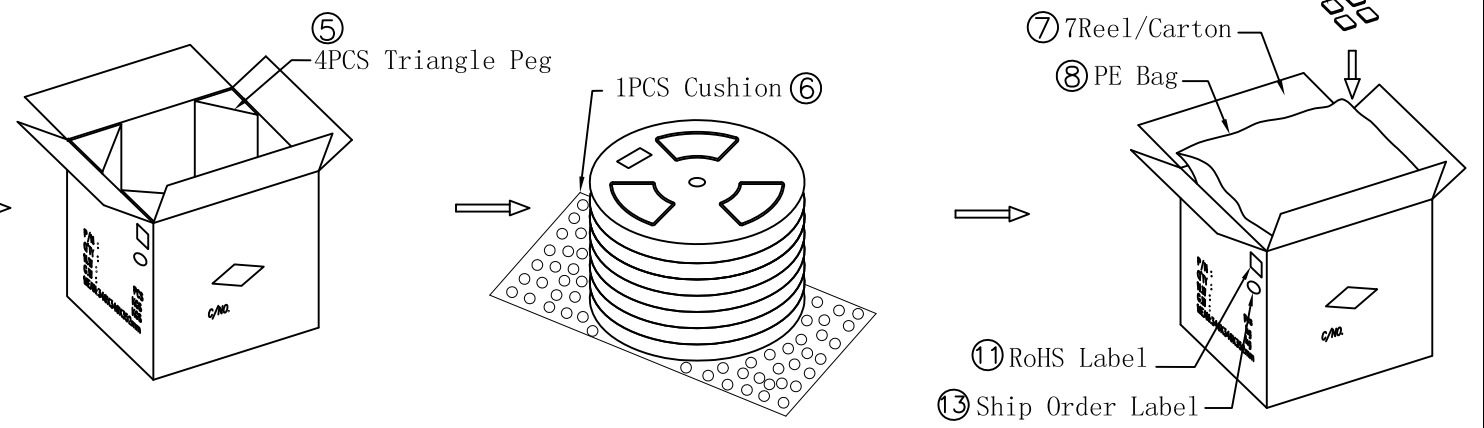
www.attend.com.tw  
 DRAWN NAME:  
 SIM Card Socket Hinge Type  
 With Switch Function



Note:  
 1. 1500PCS/Reel 3500PCS/7Reel/Carton  
 2. N.W=3.5Kg G.W=8.18Kg

TABLE:

⑬	RoHS Label	1	PCS	L800*W750mm K=K, L346*W346*H352mm I*100 L330*H345mm 330*100mm, W=45mm W=37.5, 12.7M/REEL W=44mm, T=0.35mm, 12.6M/REEL
⑫	RoHS Label	7	PCS	
⑪	Ship Order Label	1	PCS	
⑩	Label	7	PCS	
⑨	Exsiccant	4	bag	
⑧	PE Bag	1	PCS	
⑦	Exterior Carton	1	PCS	
⑥	Cushion	1	PCS	
⑤	Triangle Peg	4	PCS	
④	Reel	7	PCS	
③	Self-adhesive tape	12.7	m	
②	Carrier Tape	12.6	m	
①	SIM Card Hinge type socket with card detect switch		UNIT	



UNLESS OTHERWISE SPECIFIED TOLERANCE

ANGLES	ANG.	±5°
LINEAR	0.	±0.3
	0.0	±0.25
	0.00	±0.20
SCALE	AS SHOWN	UNIT: mm
DRAWN	Willis	2012/08/03
CHECKED	Angel	2012/08/03
APPROVED	Ken	2012/08/03



www.attend.com.tw  
 DRAWN NAME:  
 SIM Card Socket Hinge Type  
 With Switch Function  
 PRODUCT NO. 115F-ACA0-R

△	Revise:
△	Revise:
△	Revise:

REV.	DESCRIPTION	DATE	REV.	DESCRIPTION	DATE	SIZE	REV.	FILE NAME
1			4			A4	1.0	115F-ACA0-R_D_2