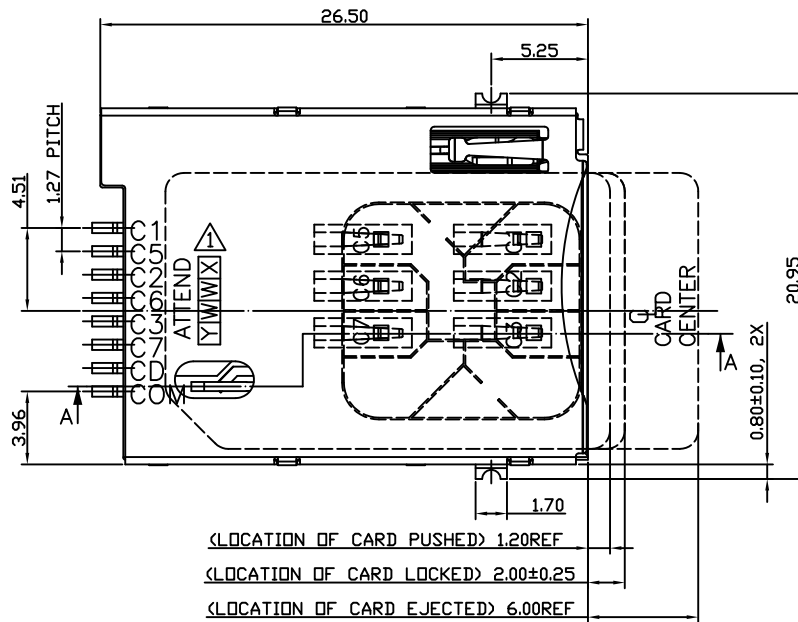
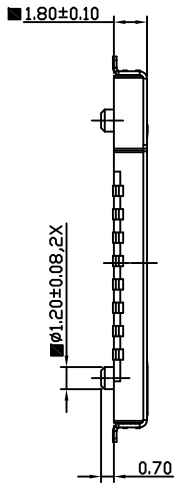
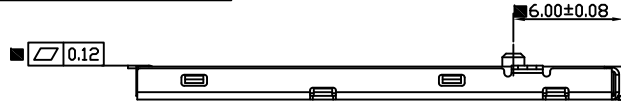


CARD DETECT SW. STATUS.



- NOTES:
- MATERIAL:
HOUSING: LCP+30% G.F., UL 94V-0 RATED, COLOR BLACK.
CONTACTS: COPPER ALLOY.
SHIELD COVER: SUS304, 0.2T.
 - PLATING:
CONTACT AREA: HARD GOLD PLATING OVER 1.27 μm (50 μin) MIN, NICKEL UNDERPLATING.
SOLDERING ZONE: 3.05 μm (120 μin) MIN. 100% TIN, OR LEAD-FREE PLATING PER PART NUMBER DESIGNATION, OVER NICKEL UNDERPLATING.
SHIELD COVER: GOLD FLASH NICKEL UNDERPLATING.
UNDERPLATING: 1.27 μm (50 μin) MIN. NICKEL ALLOVER.
 - CUTTING BURR ALLOWED: 0.03mm MAX.
 - THE DIMENSIONS MARKED WITH "■" ARE CRITICAL DIMENSIONS.
 - COPLANARITY IS 0.10mm MAX.
 - RoHS COMPLIANT PRODUCTS.
 - DATE CODE MARKING:



PRODUCT NUMBER:
115A-A D A 0-R02
1 2 3 4 5

- Type
A: 6 Pin
- Contact Plating
D: 10u"Gold Plating
- Stand Off
A: 0mm
- Peg Type
0:w/Peg
- RoHS

PARTS LIST

ITEM	DESCRIPTION	QTY(PC'S)
1	HOUSING	1
2	SLIDER	1
3	MAIN CONTACT	1
4	COM CONTACT	1
5	CD CONTACT	1
6	METAL COVER	1
7	CRANK	1
8	SPRING	1

UNLESS OTHERWISE SPECIFIED TOLERANCE		
ANGLES	ANG.	±5°
LINEAR	0.	±0.3
	0.0	±0.25
	0.00	±0.20
SCALE	AS SHOWN	UNIT: mm
DRAWN	Willis	2012/08/03
CHECKED	Angel	2012/08/03
APPROVED	Ken	2012/08/03



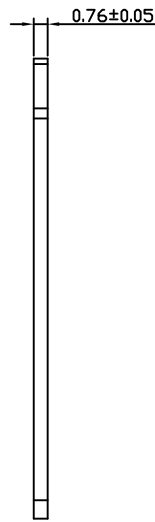
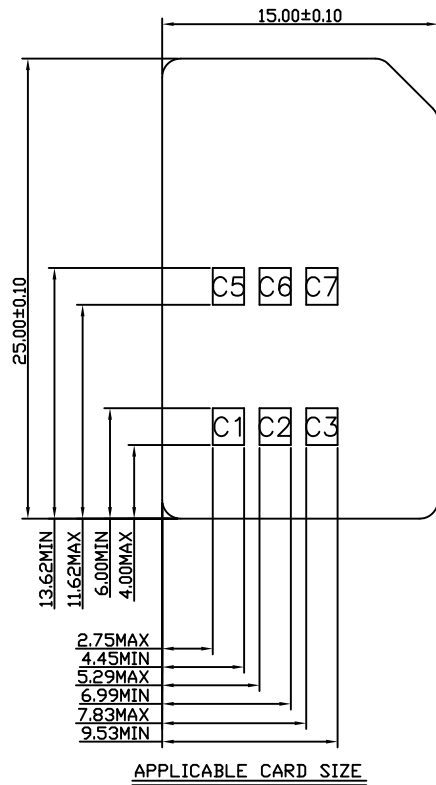
www.attend.com.tw

DRAWN NAME:
SIM Card Socket 6+2Pin Push-Push Type

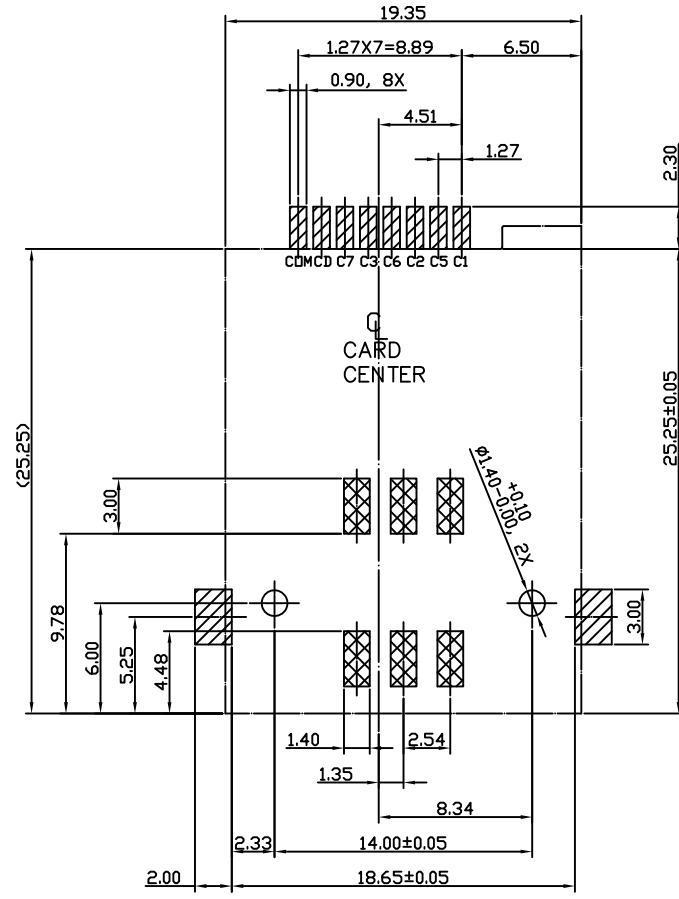
PRODUCT NO. 115A-ADA0-R02

FILE NAME 115A-ADA0-R02_B_3

REV.	DESCRIPTION	DATE	REV.	DESCRIPTION	DATE	SIZE	REV.
A	Revise:					A4	1.0
	Revise: pin definition	2010/10/11					
	Revise: date code marking	2009/11/25					



PIN DEFINITION						
NAME	C1	C2	C3	C5	C6	C7
TYPE	Vcc	RST	CLK	GND	Vpp	I/O



RECOMMENDED PCB LAYOUT

— TRACER PROHIBITION AREA

UNLESS OTHERWISE SPECIFIED TOLERANCE		
ANGLES	ANG.	±5°
LINEAR		±0.3
		±0.25
		±0.20
SCALE	AS SHOWN	UNIT: mm
DRAWN	Willis	2012/08/03
CHECKED	Angel	2012/08/03
APPROVED	Ken	2012/08/03

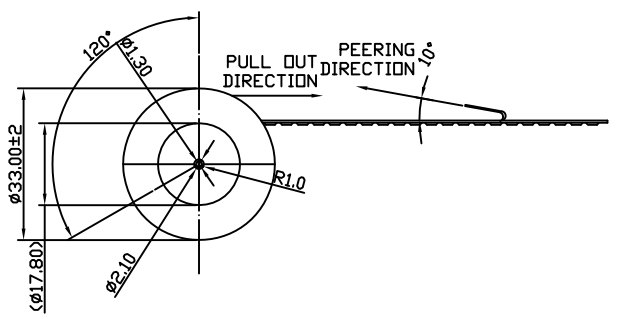
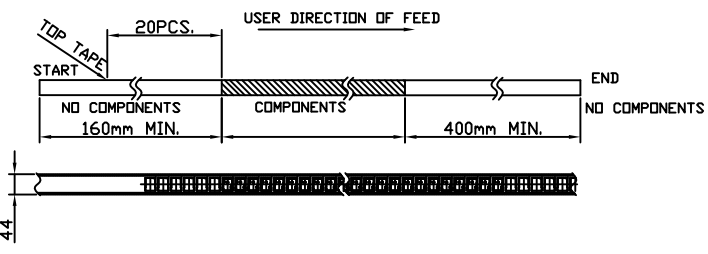
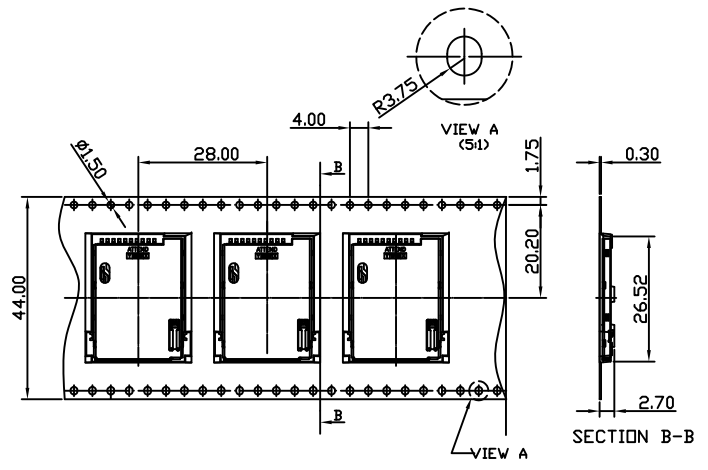


www.attend.com.tw

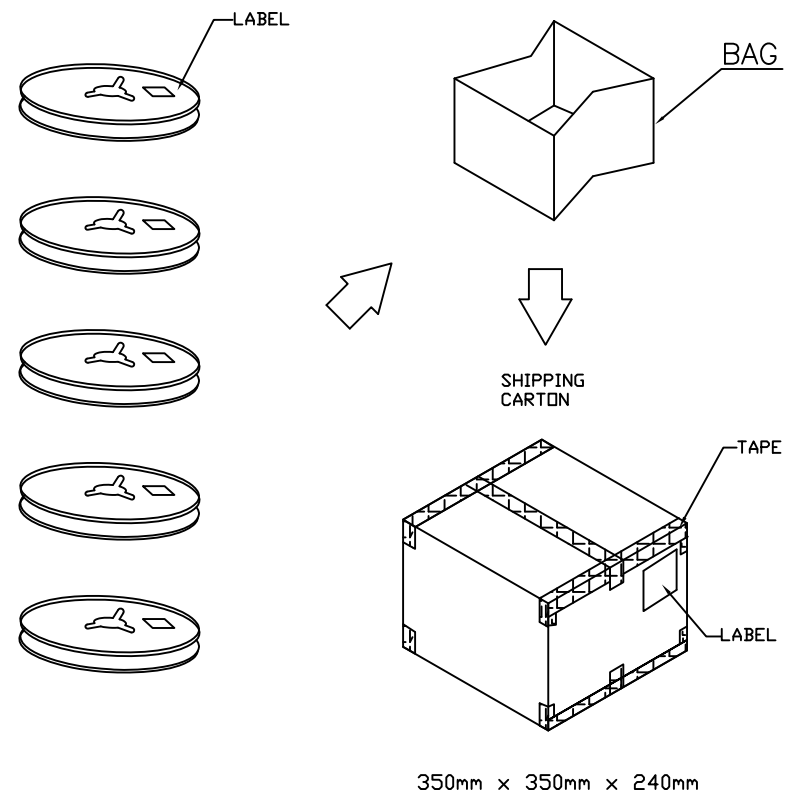
REV.	DESCRIPTION	DATE	REV.	DESCRIPTION	DATE	SIZE	REV.	FILE NAME
						A4	1.0	115A-ADA0-R02_B_3

△	Revise:							
△	Revise: pin definition				2010/10/11			
△	Revise: date code marking				2009/11/25			

DRAWN NAME:		115A-ADA0-R02	
SIM Card Socket 6+2Pin Push-Push Type		PRODUCT NO. 115A-ADA0-R02	
FILE NAME		115A-ADA0-R02_B_3	



NOTE:
 1. 115A SERIES STANDARD PACKING: 500 PCS/REEL
 2. 5 REEL/SHIPPING CARTON



350mm x 350mm x 240mm

REV.	DESCRIPTION	DATE	REV.	DESCRIPTION	DATE	SIZE	REV.	FILE NAME
1			2			A4	1.0	115A-ADA0-R02_D_2
3			4					
5			6					
7			8					
9			10					

UNLESS OTHERWISE SPECIFIED TOLERANCE			www.attend.com.tw	
ANGLES	ANG.	±5°	DRAWN NAME: SIM Card Socket 6+2Pin Push-Push Type	
LINEAR	0.	±0.3		
	0.0	±0.25	PRODUCT NO. 115A-ADA0-R02	
	0.00	±0.20		
SCALE	AS SHOWN	UNIT: mm	DRAWN: Willis 2012/08/03	
CHECKED	Angel	2012/08/03		
APPROVED	Ken	2012/08/03	FILE NAME	



- △ Revise:
- △ Revise: pin definition
- △ Revise: date code marking